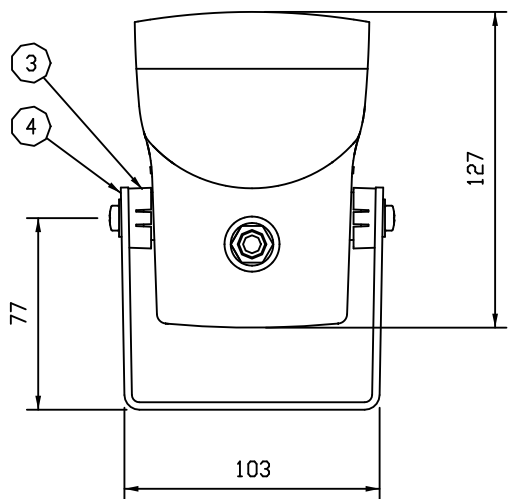
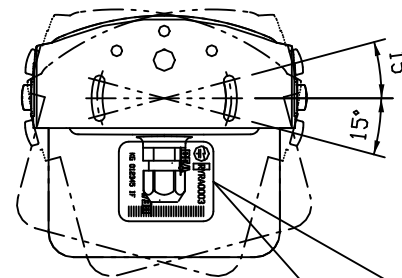
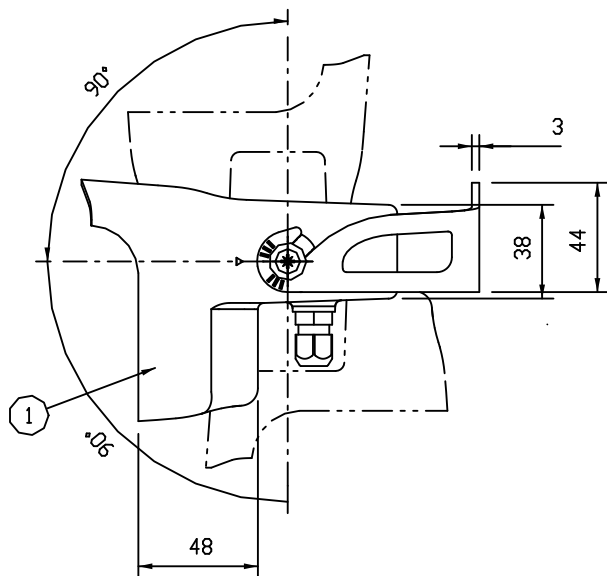
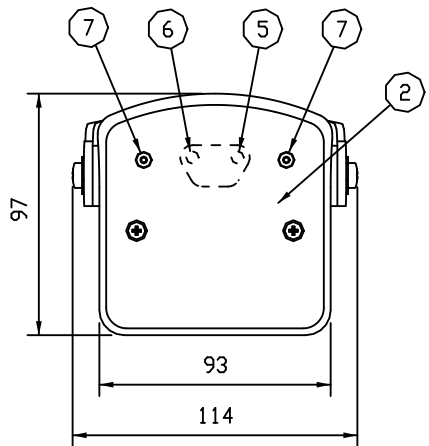


H G F E D C B A



Certification Number

RYRA0003

BEA

3-28-11 Komazawa  
Setagaya-Ku  
154-0012 Tokyo Japan  
www.beasensors.com

Manufacturer Address

Product Name → FALCON

Product Code → KG 012345 IF

Serial Number

Warranty Code

Serial Number Bar-Code

SCALE : 1,5 / 1

THIS DRAWING IS THE PROPERTY OF BEA AND MAY NOT BE REPRODUCED WITHOUT WRITTEN AGREEMENT

ITEM NO	PART NAME	MATERIAL	QTY	PART ID
7	PUSH BUTTON	NBR & ABS	2	
6	GREEN LED		1	
5	RED LED		1	
4	BRACKET	ALUMINIUM	1	41.4852
3	LOCKING COLLAR	LURAN S	2	41.5022
2	FRONT FACE	PC	1	41.4695
1	HOUSING	LURAN S	1	41.4696

<p>LIEGE-BELGIUM</p> <p>VERIFIED APPROVED</p>	1	TITLE : FALCON FAMILY REQUIRED	MODIFICATIONS LIST		
	2	DRAWER : PR	DATE : 22/08/2001	DATE:	BY:
	3	SC : 1/1,5	SIZE : A3	DESCRIPTION:	REL. VER.
	4	MATERIAL : SEE B. D. M.			
	5	TREATMENT:			
	6	GENERAL TOLERANCE: FOL. DIN 16901-10			
	7	C. A. D. FILE: MCADAM/BER3/EQ27/FAMILY REQUIRED			
DOC. : PA		OBJET: 41.5464	VER. : NA	PAGE: 01/01	

H G F E D C B A