

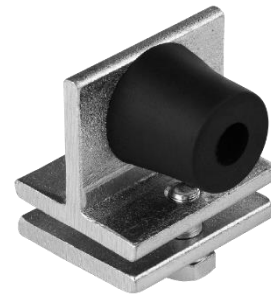
CAIS s.r.o.

Přehradní 199
763 16 Fryšták – Dolní Ves
Czech Republic
Tel.: +420 577 911 000; Fax: +420 577 912 211
ID: 26914051; VAT: CZ26914051
e-mail: cais@cais.eu; web: www.cais.eu



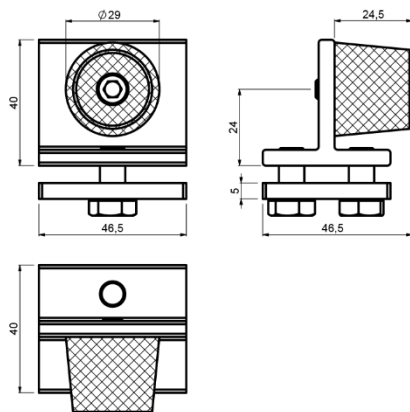
Technical report


Art.



FINISH S

Art.	FINISH S
Product	INTERNAL GUIDE END STOP
Item code	1700008
Material	Body - S 235 JR, Bolt M 8x16 - DIN 933, Bolt M 6x16 - DIN 912, Rubber - TPE SANTOPRENE
Surface finish	ČSN EN ISO 19598 - Fe//Zn12//Cn//T2nL
Guarantee	24 months



Art.	GUIDE	1pc			CODE
		kg	pcs	kg	
FINISH S	STAGE SB/SZ	0,23	20	4,6	1700008

*All specifications, photographs and technical drawings are the property of CAIS s. r. o. and are protected by copyright. Product specifications can be changed without prior notice.