



 **FOLLOW ME M 8.0**

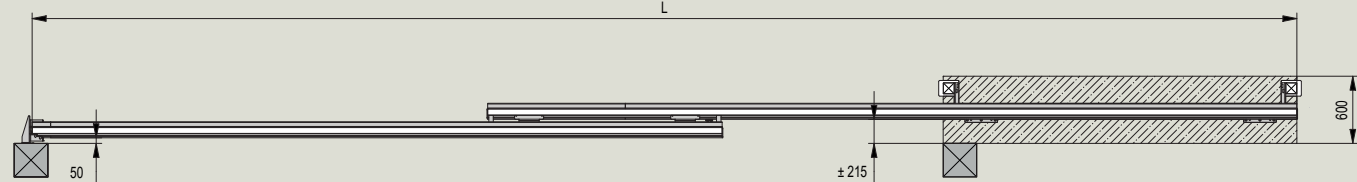
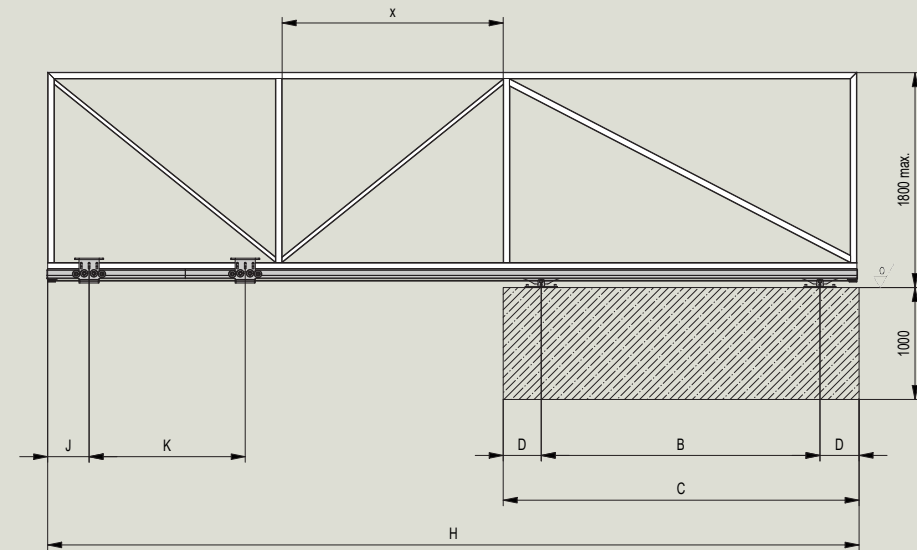
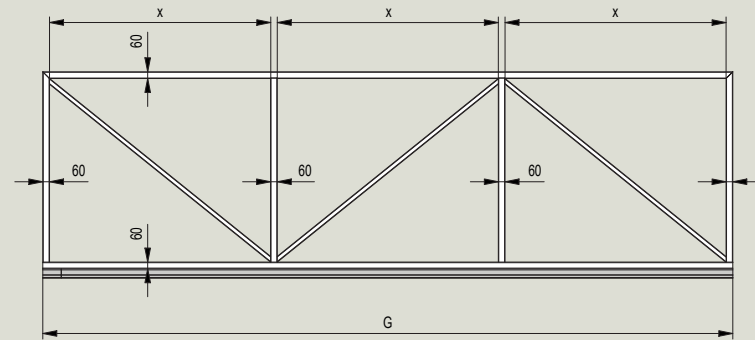
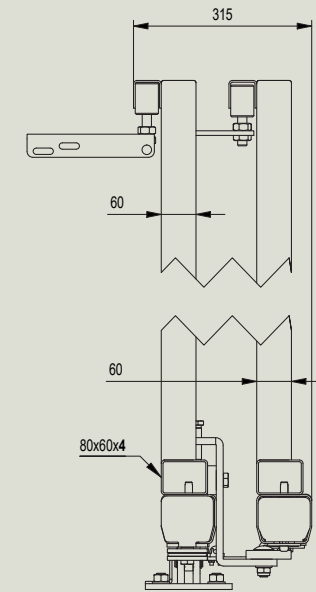
TRACKLESS TWINNED TELESCOPIC  
CANTILEVER HARDWARE  
SPACE-SAVING FEATURE

FOLLOW ME M 8.0

CODE: 1710910

	mm; kg	mm; kg	mm; kg	mm; kg	mm; kg	mm; kg	mm; kg
A	5000	5500	6000	6500	7000	7500	8000
backspace	4930	5330	5730	6130	6530	6930	7330
B	1600	1750	1900	2050	2200	2350	2500
C	2300	2450	2600	2750	2900	3050	3200
D	350	350	350	350	350	350	350
G	3915	4290	4665	5040	5415	5790	6165
H	4830	5230	5630	6030	6430	6830	7230
J	370	370	370	370	370	370	370
K	645	770	895	1020	1145	1270	1395
L	7400	8050	8700	9350	10000	10650	11300

Valid for gate frame 60x60



FAST,  
DOUBLES SPEED  
OF OPENING



GALVANIZED  
INTERNAL EDGES



SPACE SAVING FEATURE  
- 36% OF TAILGATE  
SPACE



«C» TRACK SERIAL NO.  
100% COMPATIBILITY  
CARRIAGE TESTED



EASY  
ASSEMBLING



GERMAN  
STEEL



TWIN «C» TRACK  
CANTILEVER SYSTEM



15 + 15 BOLTS  
15 + 15 RIVET NUTS  
INCLUDED



3  
AXIS

2ND CANTILEVER LEAF  
ADJUSTABLE IN 3 AXIS



C 2  
HIGH QUALITY  
BEARINGS



32.000  
cyclus

32.000 CYCLES  
PROVEN & TESTED



CARRIAGES CENTER  
HOLES MILLED  
NOT LASER CUT



270  
g/m<sup>2</sup>

HOT DIPPED  
GALVANIZED



MULTI RIVETED  
SECTIONS



+ 50°C  
TESTED & PROVEN



JAPANESE ROBOTICS  
FANUC



- 37°C  
TESTED AND PROVEN



UNIVERSITY OF  
TECHNOLOGY – BRNO



SLOTTED HOLE  
PUNCHED EVERY  
400mm IN TRACK



MADE IN  
CZECH REPUBLIC