

# CAIS s.r.o.

Přehradní 199  
763 16 Fryšták – Dolní Ves  
Czech Republic  
Tel.: +420 577 911 000; Fax: +420 577 912 211  
ID: 26914051; VAT: CZ26914051  
e-mail: cais@cais.eu; web: www.cais.eu



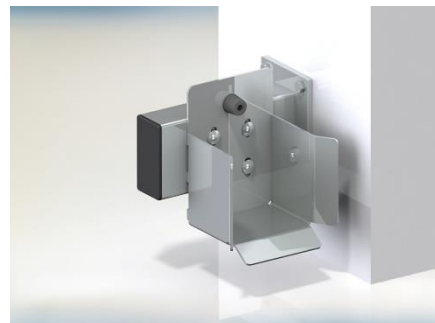
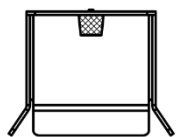
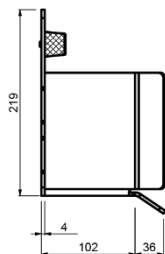
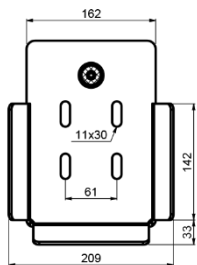
## Technical report


Art.

## LAST L



<b>Art.</b>	LAST L
<b>Product</b>	END STOP FOR CANTILEVER GATE
<b>Item code</b>	1700021
<b>Material</b>	Body - S 235 JR, Bolt M 6x16 - DIN 912, Rubber - TPE SANTOPRENE
<b>Surface finish</b>	ČSN EN ISO 19598 - Fe//Zn12//Cr//T2nL
<b>Guarantee</b>	24 months



Art.	GUIDE	1pc			CODE
		kg	pcs	kg	
LAST L	STAGE LB/LZ	2,7	2	5,4	1700021

\*All specifications, photographs and technical drawings are the property of CAIS s. r. o. and are protected by copyright. Product specifications can be changed without prior notice.