

CAIS s.r.o.

Přehradní 199
763 16 Fryšták – Dolní Ves
Czech Republic
Tel.: +420 577 911 000; Fax: +420 577 912 211
ID: 26914051; VAT: CZ26914051
e-mail: cais@cais.eu; web: www.cais.eu



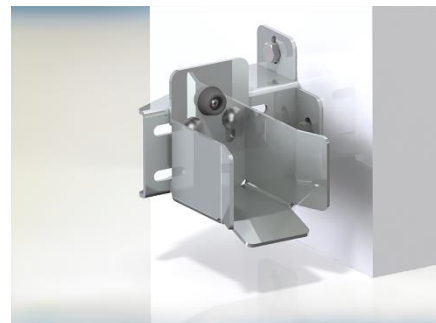
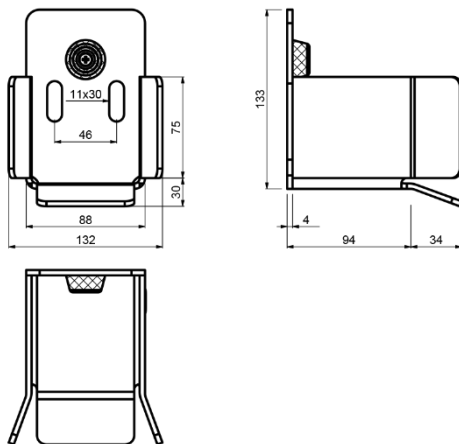
Technical report


Art.

LAST S



Art.	LAST S
Product	END STOP FOR CANTILEVER GATE
Item code	1700005
Material	Body - S 235 JR, Bolt M 5x8 - DIN 7985, Rubber - TPE SANTOPRENE
Surface finish	ČSN EN ISO 19598 - Fe//Zn12//Cr//T2nL
Guarantee	24 months



Art.	GUIDE	1pc		CODE	
		kg	pcs	kg	
LAST S	STAGE SB/SZ	1,24	2	2,48	1700005

*All specifications, photographs and technical drawings are the property of CAIS s. r. o. and are protected by copyright. Product specifications can be changed without prior notice.