

CAIS s.r.o.

Přehradní 199
763 16 Fryšták – Dolní Ves
Czech Republic
Tel.: +420 577 911 000; Fax: +420 577 912 211
ID: 26914051; VAT: CZ26914051
e-mail: cais@cais.eu; web: www.cais.eu



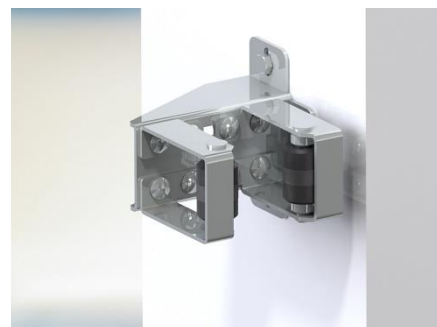
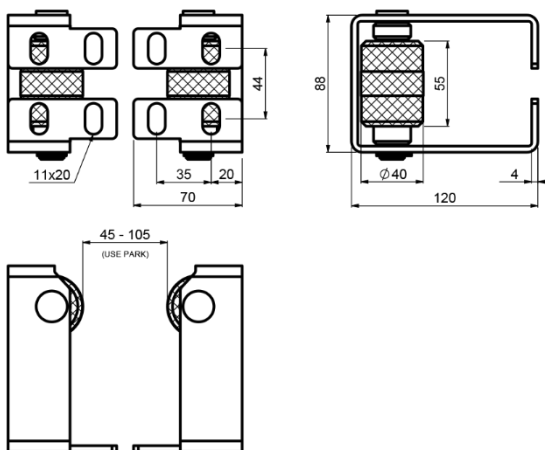
Technical report


Art.



PADDOCK 2

Art.	PADDOCK 2
Product	END STOP WITH ROLLER
Item code	1700182
Material	Body - S 235 JR, Pin - 11SMn30, Distancial - 11SMn30, Retaining ring - DIN 471, Plastic roller - POLYAMID 6 BADAMID B 70
Surface finish	ČSN EN ISO 19598 - Fe//Zn12//Cr//T2nL
Guarantee	24 months



Art.	BRACKET	1pc			CODE
		kg	pcs	kg	
PADDOCK 2	PARK/PARK 240/ PARK CSM	1,4	2	2,8	1700182

*All specifications, photographs and technical drawings are the property of CAIS s. r. o. and are protected by copyright. Product specifications can be changed without prior notice.