

CAIS s.r.o.

Přehradní 199
763 16 Fryšták – Dolní Ves
Czech Republic
Tel.: +420 577 911 000; Fax: +420 577 912 211
ID: 26914051; VAT: CZ26914051
e-mail: cais@cais.eu; web: www.cais.eu



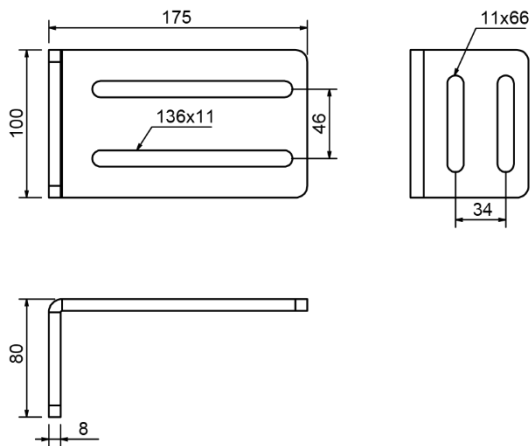
Technical report


Art.



PARK CSM

Art.	PARK CSM
Product	END STOP BRACKET
Item code	1700359
Material	Body S 235 JR, Bolt M 10x25 - DIN 603, Nut M 10 - DIN 6923
Surface finish	ČSN EN ISO 19598 - Fe//Zn12//Cn//T2nL
Guarantee	24 months



Art.	BRACKET	1pc		CODE	
		kg	pcs	kg	
PARK CSM	LAST/PADDOCK	1,36	2	2,72	1700359

*All specifications, photographs and technical drawings are the property of CAIS s. r. o. and are protected by copyright. Product specifications can be changed without prior notice.