

CAIS s.r.o.

Přehradní 199
763 16 Fryšták – Dolní Ves
Czech Republic
Tel.: +420 577 911 000; Fax: +420 577 912 211
ID: 26914051; VAT: CZ26914051
e-mail: cais@cais.eu; web: www.cais.eu



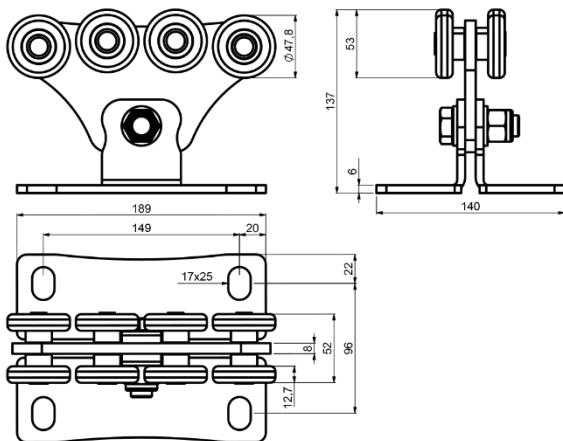
Technical report


Art.



SPEED SE

| | |
|-----------------------|--|
| Art. | SPEED SE |
| Product | EIGHT WHEELED CARRIAGE FOR CANTILEVER GATE |
| Item code | 1700174 |
| Material | Body - S 235 JR, Roller - C45, Pin - 11SMn30, Distancial - 11SMn30, Bearing - 6201 2RS, Bolt M 16 x 45 - DIN 933, Nut M 16 - DIN 985, Washer M 16 - DIN 125A |
| Surface finish | ČSN EN ISO 19598 - Fe//Zn12//Cn//T2nL |
| Guarantee | 24 months |



| Art. | A | GUIDE | 1pc |  | CODE |
|-----------------|---------|-------------|-----|--|---------|
| | max. mm | | kg | pcs | kg |
| SPEED SE | 4000 | STAGE SB/SZ | 3,5 | 2 | 7 |
| | | | | | 1700174 |

*All specifications, photographs and technical drawings are the property of CAIS s. r. o. and are protected by copyright. Product specifications can be changed without prior notice.