

TECHNICAL DATA

Electrical current max. *	0.028 - 0.1 A
Voltage *	from 24 to 230 V ac/dc
Power *	2 - 5W
Hours of service	50,000
Brightness	122 Lux
Operation temperature	-20 / +55 [°C]
IP protection level	66
Rotation	180°
Weight	1.5 - 2.5 - 3.5 Kg

* The figure refers to the individual light, assuming that only one light is switched on at a time in a traffic light.

PURPOSES OF USE

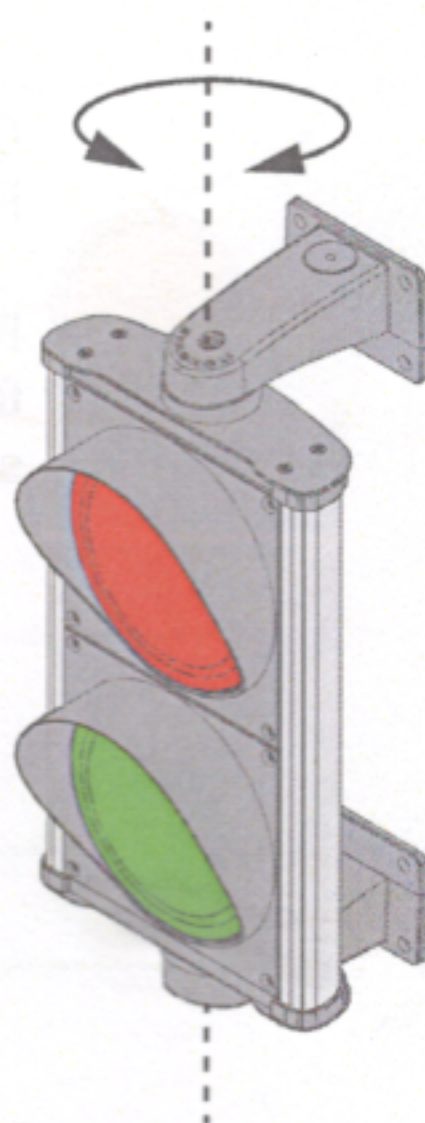
Chronos is an adjustable traffic light designed exclusively for residential and industrial environments. Since it is equipped with multi-voltage electronics, it will only be necessary to wire the traffic light (as shown in the diagram at page 4). It is possible to supply it at a voltage between 24 and 230V AC/DC without any setting of the voltage used. Chronos is IP66 insulation class.

WARNINGS

Installation, maintenance and in particular access to the internal parts of the traffic light must be carried out only and exclusively by qualified personnel and with no electricity present.

This instruction manual includes important safety information: read all instructions carefully before installation. Stagnoli does not assume any liability for damage caused by improper, incorrect or unwise use of the product. Keep this manual in a safe place for future use.

ROTATION



Once completely installed, the body can be rotated simply by loosening the brackets' fixing screws.

Adjust it to the best position and tighten them again.

USEFUL ADVICE

The dimensions of the case are based on the distance from the power source, so depending on the voltage drop, Stagnoli recommends:

00 - 50 mt: 0,5-0,75 mm

50 - 100 mt: 0,75 -1 mm

>100 mt : 1 - 1,5 mm

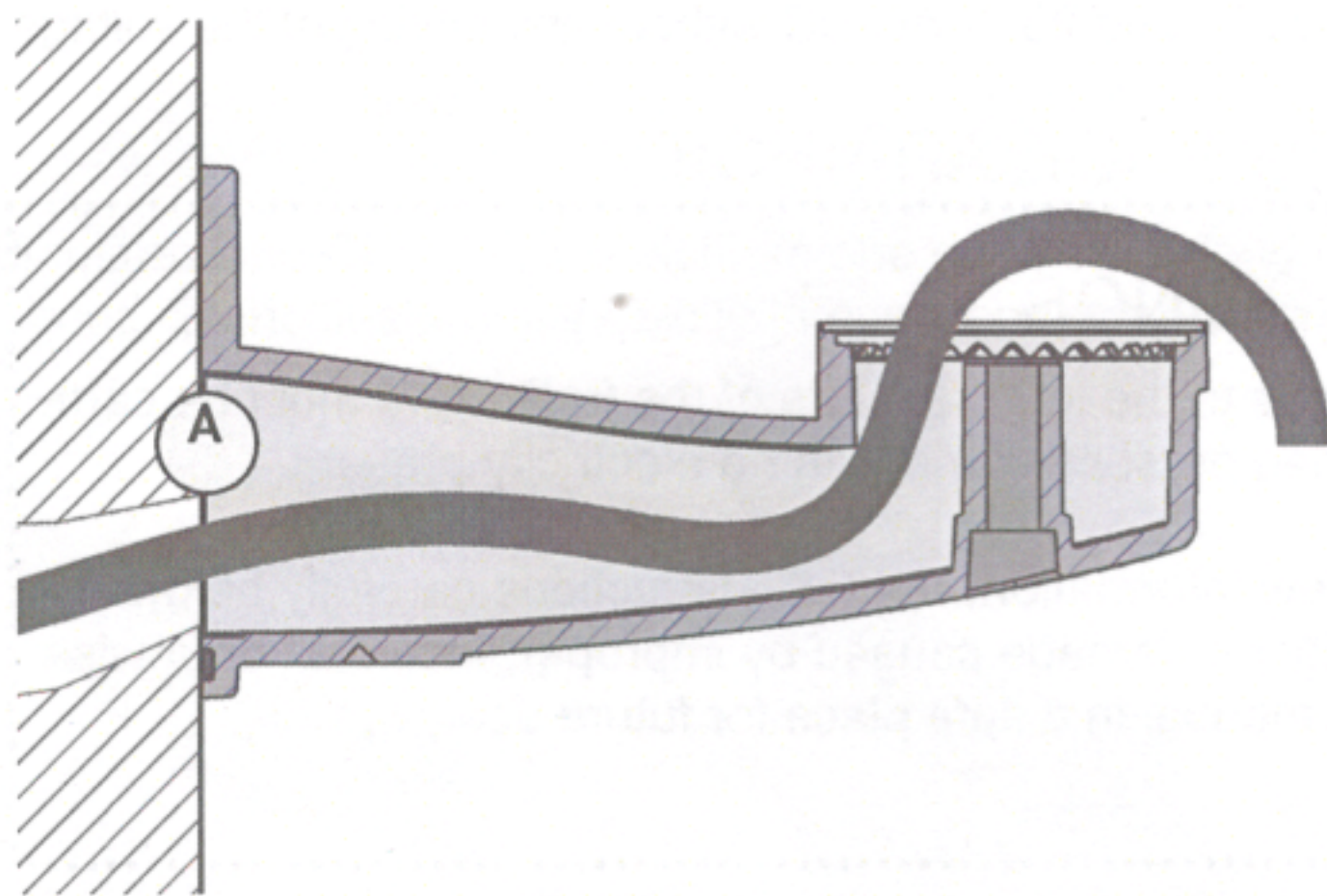
1. CABLE MANAGEMENT

The CHRONOS traffic light allows the cable to be routed in two ways:

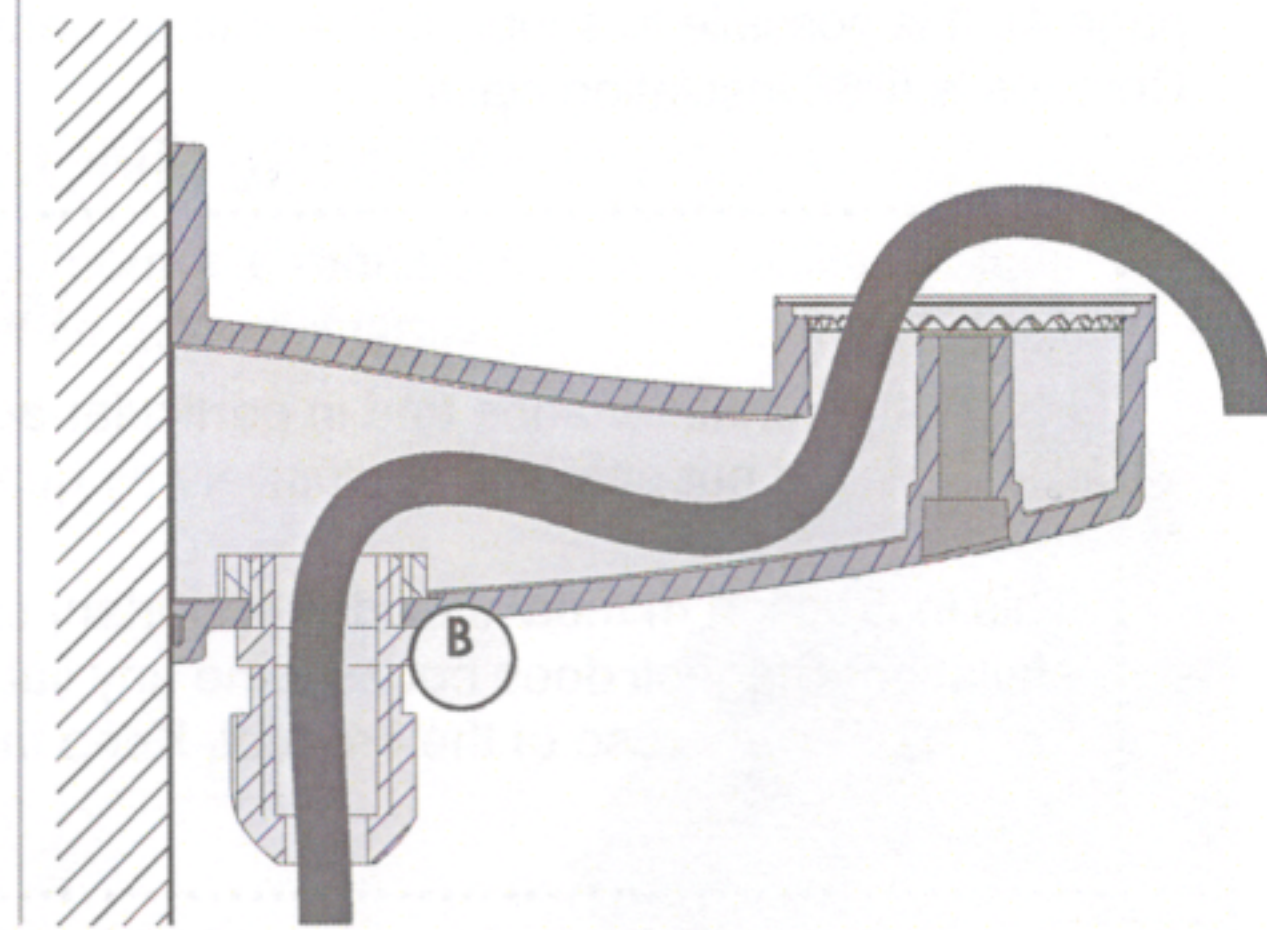
1.A: from the wall to the opening at the back of the bracket [A] and then into the casing

1.B: by using the dedicated pre-hole, cut a hole in the bracket, and mount a standard PG12 cable duct [B], ensuring that the cable duct is mounted before fixing the bracket to the wall

1.A

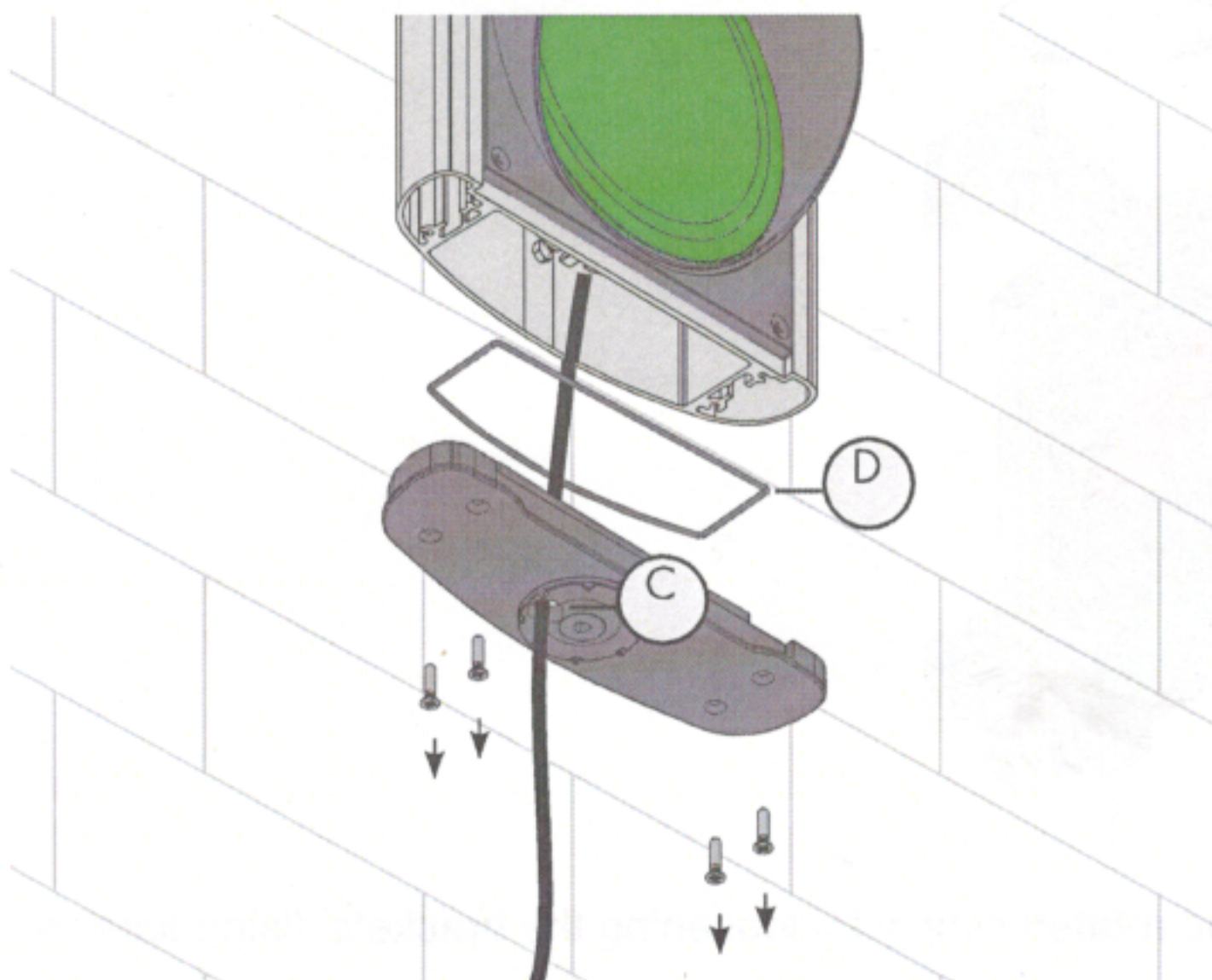


1.B



Once the correct routing of the cable has been set, fix the bracket to the wall using the suitable screws and screw anchors.

2. OPEN THE BOTTOM COVER



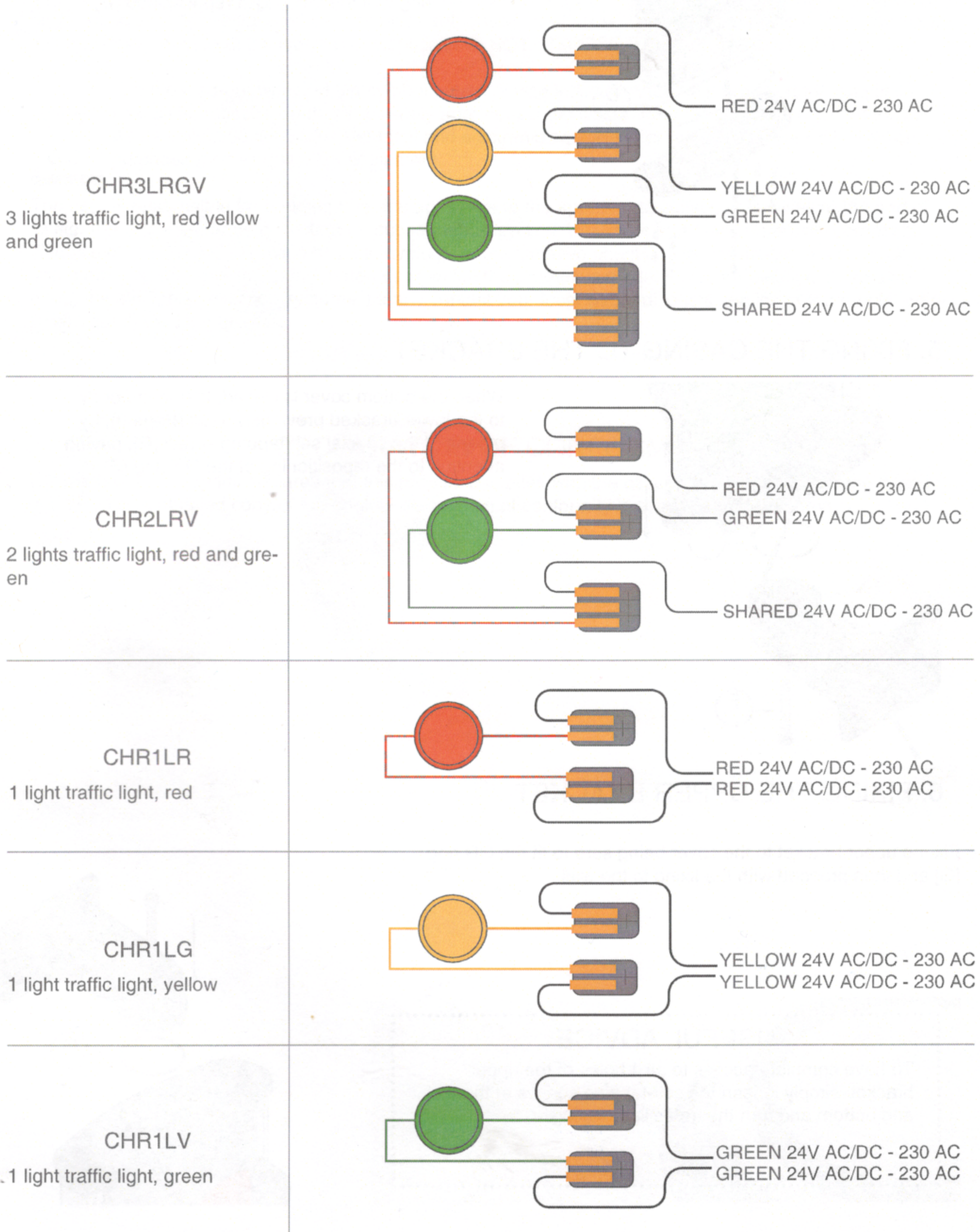
Open the bottom cover by unscrewing the 4 Phillips head screws placed on the bottom.

Route the cable coming out of the bracket through the dedicated hole [C] and if necessary through the OR ring [D].

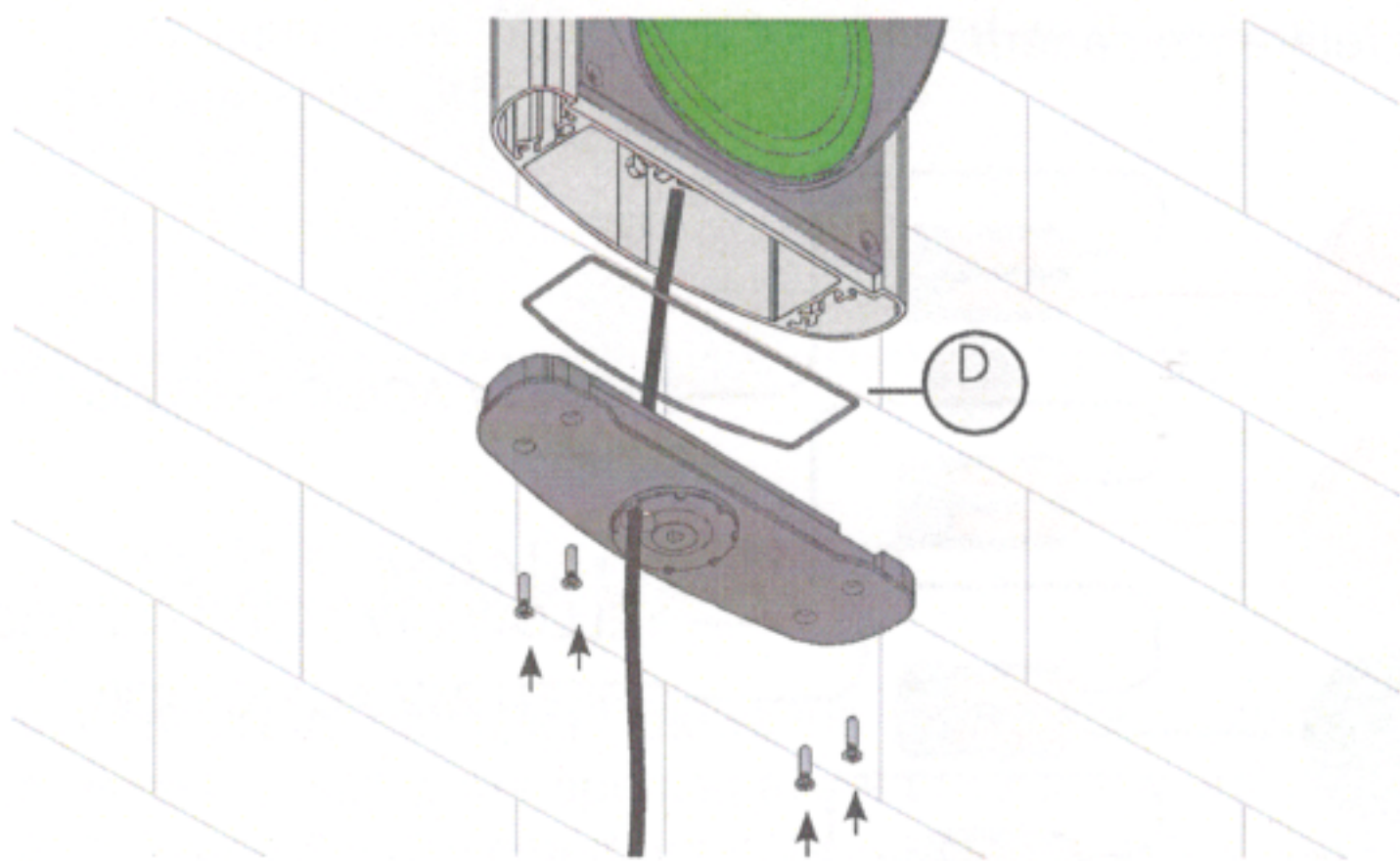
3. WIRING

EN

Once the bottom cover is open, wire according to the reference pattern

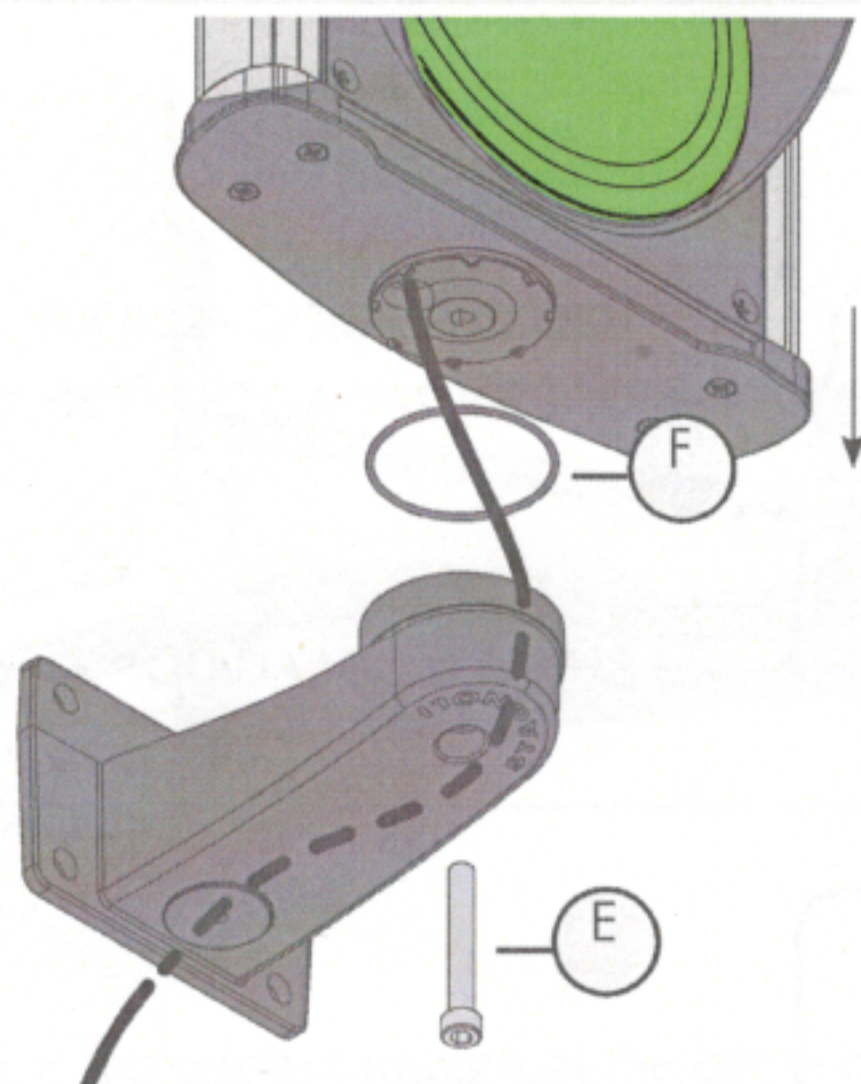


4. CLOSING THE BOTTOM COVER



When the wiring is finished, close the cover ensuring that the OR ring is repositioned [D]

5. FIXING THE CASING TO THE BRACKET



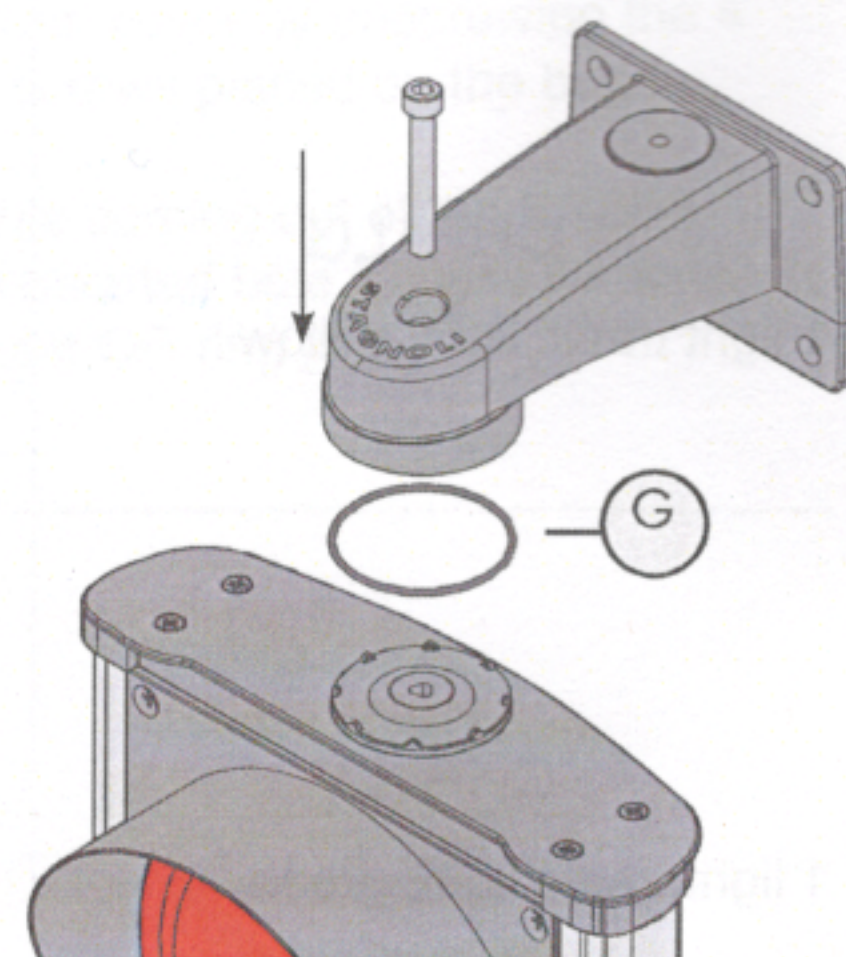
When the bottom cover is closed, fasten the body to the lower bracket previously fixed (Page 9), by means of the special self-tapping screw [E], paying attention to the repositioning of the OR ring [F]

6. FIXING THE UPPER BRACKET

Fix the upper bracket to the cover being sure to fit the OR ring [G] and then proceed with the fixing to the wall.

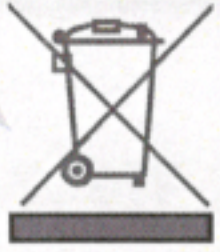
USEFUL ADVICE

To have complete access to all 4 holes of the upper bracket, simply loosen the self-tapping screws at the top and bottom and turn the traffic light casing.



DISPOSAL

Packaging components, such as cardboard or plastics, can be recycled through separate collection. When disposing of the product, instead, it is necessary to pay great attention to the components which may contain polluting substances such as electronic boards, remote control batteries, etc., which must be recycled or disposed of in the designated centres or by authorised companies. In this case, please refer to the specific regulations in force at the location of disposal. **DO NOT DISPOSE IN THE ENVIRONMENT.**



The crossed-out wheeled bin symbol on the device indicates that the product, at the end of its useful life, must be treated separately from household waste, must be disposed of at a dedicated waste collection centre for electrical and electronic equipment or returned to the retailer when purchasing new equivalent equipment.

The user is responsible for handing over the appliance to the appropriate collection facilities at the end of its life. Adequate separate collection for subsequent recycling, treatment and environmentally compatible disposal of the discarded device helps to avoid possible negative effects on the environment and health and promotes the recycling of the materials of which the product is made. For more detailed information about the available collection systems, please contact your local waste disposal service or the retailer where you purchased the product.

DECLARATION OF CONFORMITY

EC Declaration: Stagnoli declares that this product complies with the essential requirements of the directives in force. A certified copy of the original declaration of conformity is available upon request.