

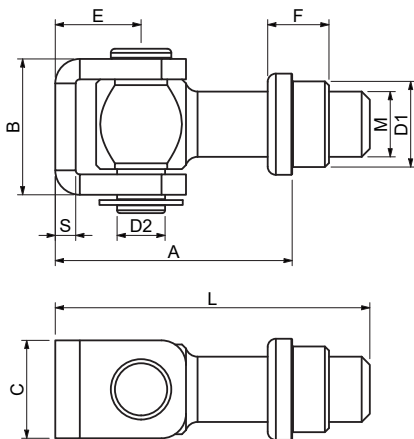
## Technical report

Art.

**H 20**



Art.	H 20
Product	ADJUSTABLE HINGE WITH NUT, WELDED, FOR STEEL COLUMN
Item code	1700378
Material	Body - S 355 J2C, „C“ claim - S 235 JR, Pin - 11SMn30, Welding nut - 11SMn30, Retaining ring - DIN 6799
Surface finish	ČSN EN ISO 19598 - Fe//Zn12//Cn//T2nL
Guarante	24 months

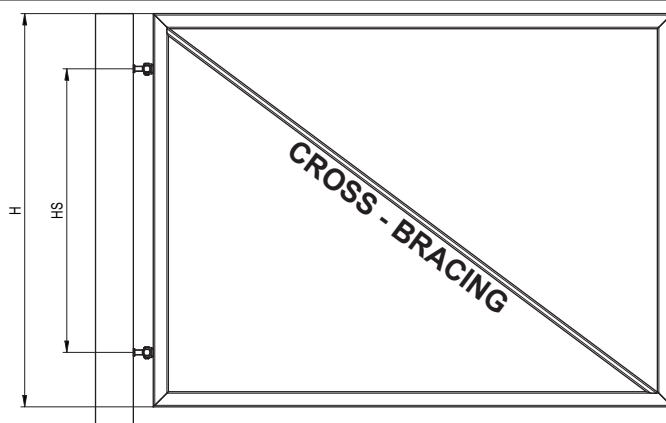


Art.	M	A min./max.	L	B	C	D1	D2	E	F	S	1pc		CODE	
											kg	pcs		
H 20	M20	47 - 77	88	39	28	25	14	25	18	6	0,4	20	8	1700378

\*All specifications, photographs and technical drawings are the property of CAIS s. r. o. and are protected by copyright. Product specifications can be changed without prior notice.

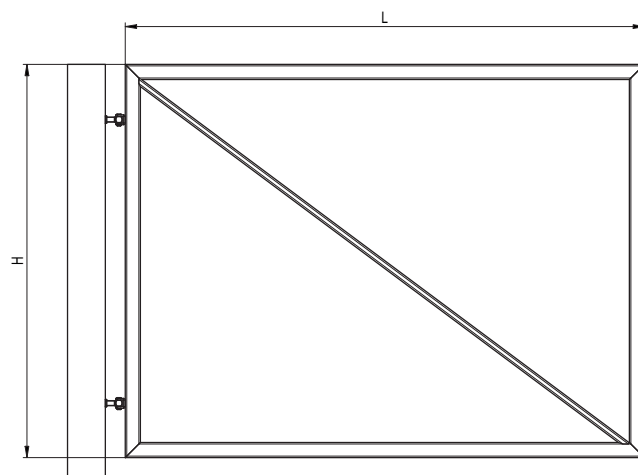
## 1) HINGE SPACING

$$HS = \min. 75\% H$$



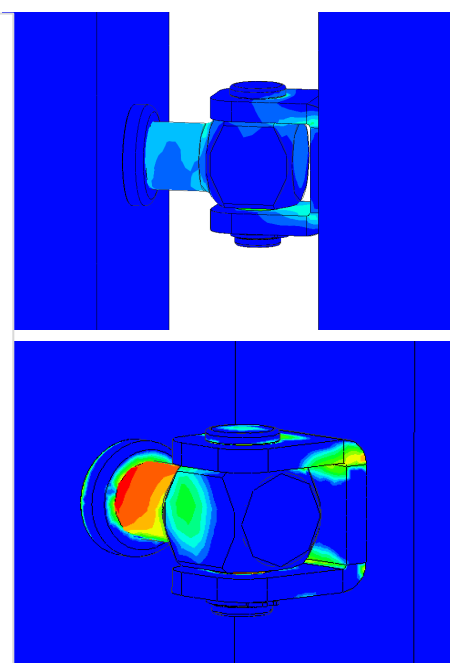
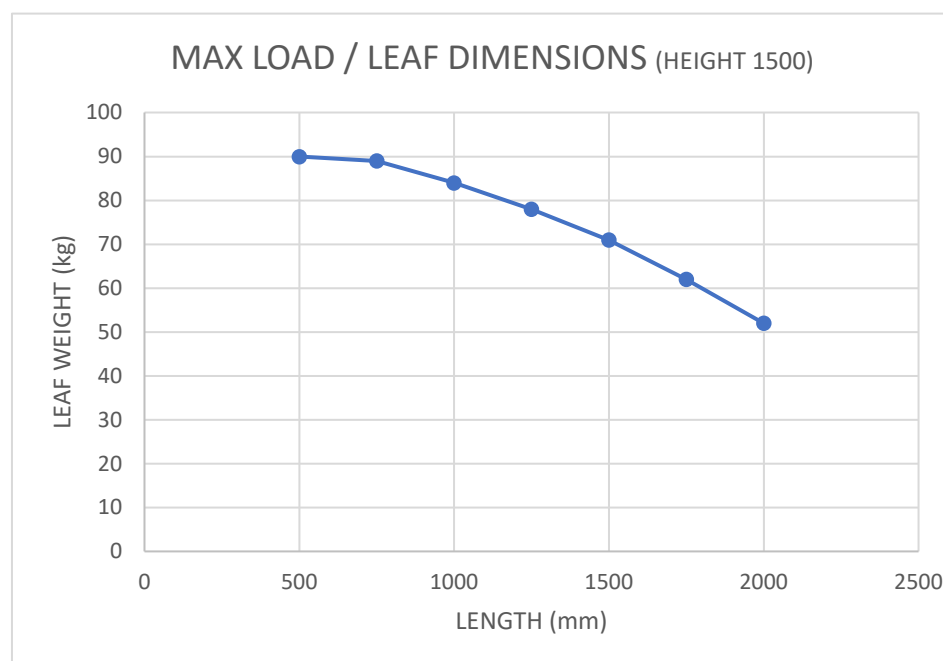
## 2) ASPECT RATIO

$$L/H \leq 2$$



## 3) ASPECT RATIO

$$L = \max. (H + 40\% H)$$



Art.	"MAX WIDTH"	"MAX HEIGHT"	"MAX m2"	"MAX CAPACITY"	CYCLES	MAINTENANCE
	mm			1 pair/kg	nr	
H20	3000	2500	5,5	145	200 000	Greasing „every 25 000 cycles / 1 times per year“

\*All specifications, photographs and technical drawings are the property of CAIS s. r. o. and are protected by copyright. Product specifications can be changed without prior notice.